

SX[®] Rotary Joints

Through Flow



The SX rotary joint provides a positive seal between stationary piping and a rotating cylinder. Using new sealing technologies, the SX joint has extended seal life and increased reliability. The SX is a robust rotary joint that performs well in steam and thermal oil applications.

Standard SX Ratings

Pressure:	300 psig (20 bar)
Temperature:	550°F (288°C)
Speed:	Up to 550 RPM
Media:	Steam
Pressure:	150 psig (10 bar)
Temperature:	650°F (343°C)
Speed:	Up to 550 RPM
Media:	Thermal Oil

Overview



Features

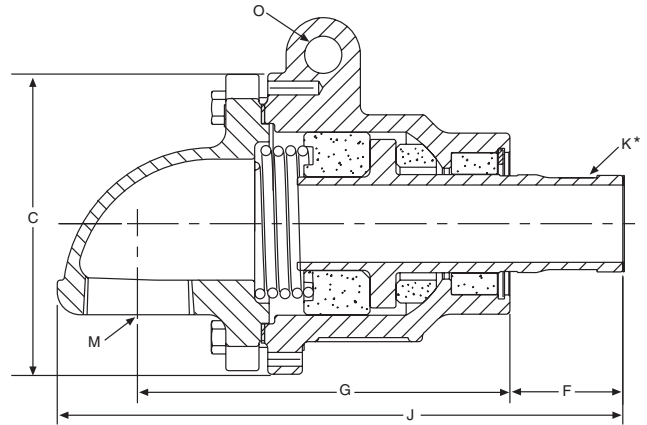
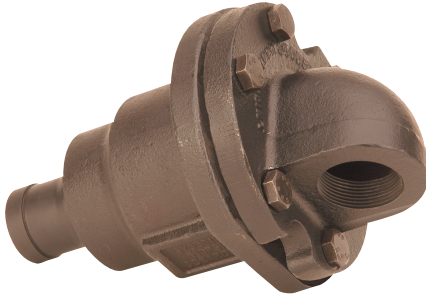
- Designed for steam and thermal oil
- Optimized seal diameter
- Convex seal ring in compression
- Maximum carbon guide separation
- Single-flow or dual-flow
- Adjustable syphon clearance option



Benefits

- Positive sealing
- Extended seal life, reduced maintenance
- Self-aligning seal, longer life
- Improved joint and syphon support
- Application flexibility
- Repeatable syphon clearance adjustment

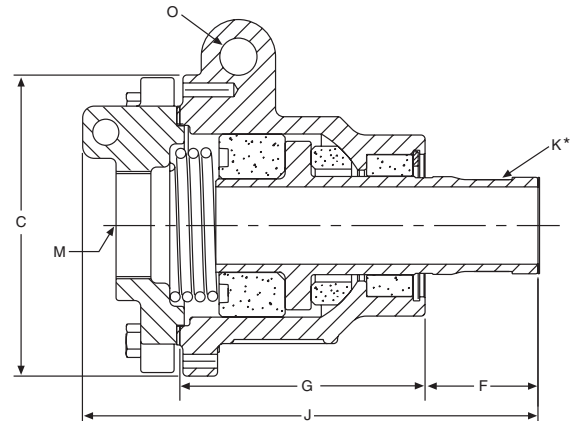
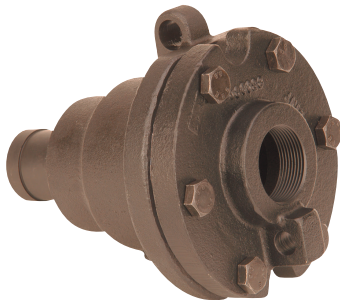
Type SXA - Angled Port



Size (K)*	M	C	F	G	J	O	Units
3/4"	3/4"	3.69	2.06	4.38	7.25	0.42	inches
		94	52	111	184	11	mm
1"	1"	4.12	1.88	4.81	7.69	0.44	inches
		105	48	122	195	11	mm
1 1/4"	1 1/4"	5.25	1.97	5.94	9.17	0.56	inches
		133	50	151	232	14	mm
1 1/2"	1 1/2"	6.56	2.19	7.00	10.50	0.72	inches
		167	56	178	267	18	mm
2"	2"	6.94	2.25	8.02	11.88	0.88	inches
		176	57	204	302	22	mm
2 1/2"	2 1/2"	7.81	2.62	8.45	12.58	0.88	inches
		198	67	215	320	22	mm
3"	3"	8.62	3.00	9.76	15.32	1.09	inches
		219	76	248	389	28	mm

* Available threaded (NPT, BSPT, BSP) or "Q" Quick Release Nipple.

Type SXC - Concentric Port



Size (K)*	M	C	F	G	J	O	Units
3/4"	3/4"	3.69	2.06	3.19	6.91	0.42	inches
		94	52	81	176	11	mm
1"	1"	4.12	1.88	3.29	6.31	0.44	inches
		105	48	84	160	11	mm
1 1/4"	1 1/4"	5.25	1.97	3.88	7.63	0.56	inches
		133	50	99	194	14	mm
1 1/2"	1 1/2"	6.56	2.19	4.75	8.63	0.72	inches
		167	56	121	219	18	mm
2"	2"	6.94	2.25	5.12	8.81	0.88	inches
		176	57	130	224	22	mm
2 1/2"	2 1/2"	7.81	2.62	5.43	9.90	0.88	inches
		198	67	138	251	22	mm
3"	3"	8.62	3.00	6.30	10.99	1.09	inches
		219	76	160	279	28	mm

* Available threaded (NPT, BSPT, BSP) or "Q" Quick Release Nipple.

Dimensions are for reference only and subject to change.

www.kadant.com

Kadant is a global supplier of high-value, critical components and engineered systems used in process industries worldwide.

KADANT JOHNSON LLC
805 Wood Street
Three Rivers, MI 49093 USA

Tel: +1-269-278-1715
Email: info@kadant.com

SX Rotary Joints Through Flow Type SXA / SXC-1000 (US) 12/2018
Replaces All Previous Versions
© 2018 Kadant Johnson LLC