

SX[®] Rotary Joints

Dual Flow



The SX rotary joint provides a positive seal between stationary piping and a rotating cylinder. Using new sealing technologies, the SX joint has extended seal life and increased reliability. The SX is a robust rotary joint that performs well in steam and thermal oil applications.

Standard SX Ratings

Pressure:	300 psig (20 bar)
Temperature:	550°F (288°C)
Speed:	Up to 550 RPM
Media:	Steam
Pressure:	150 psig (10 bar)
Temperature:	650°F (343°C)
Speed:	Up to 550 RPM
Media:	Thermal Oil

Overview



Features

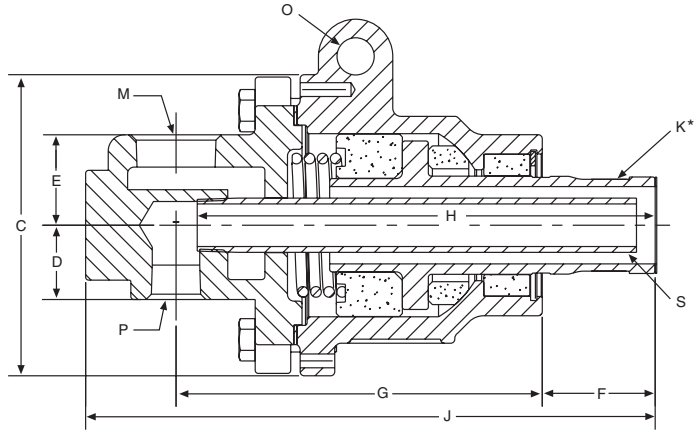
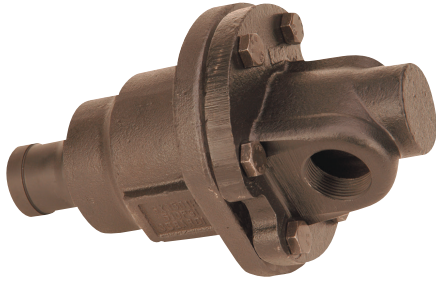
- Designed for steam and thermal oil
- Optimized seal diameter
- Convex seal ring in compression
- Maximum carbon guide separation
- Single-flow or dual-flow
- Adjustable syphon clearance option



Benefits

- Positive sealing
- Extended seal life, reduced maintenance
- Self-aligning seal, longer life
- Improved joint and syphon support
- Application flexibility
- Repeatable syphon clearance adjustment

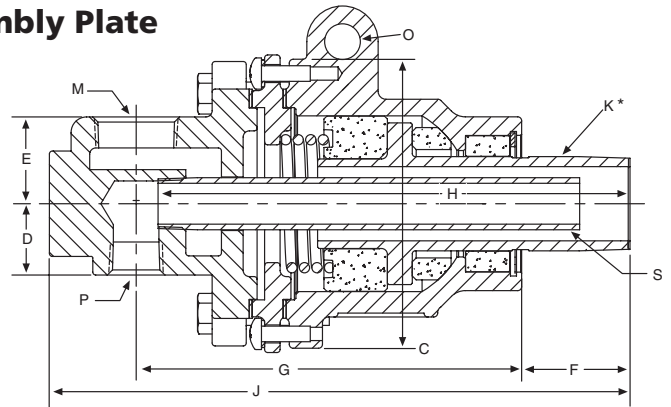
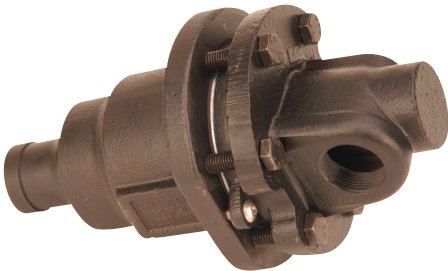
Type SXB – Two Ports, 180°



Size (K)*	M	P	S	C	D	E	F	G	H	J	O	Units
3/4"	1/2"	1/2"	1/8" – 1/4"	3.69	0.75	1.31	2.06	4.56	6.00	7.88	0.42	inches
				94	19	33	52	116	152	200	11	mm
1"	3/4"	1/2"	1/4" – 3/8"	4.81	1.12	1.38	1.88	5.12	6.38	8.31	0.44	inches
				122	28	35	48	130	162	211	11	mm
1 1/4"	1"	1/2"	3/8" – 1/2"	5.25	1.38	1.81	1.97	6.50	7.75	10.44	0.56	inches
				133	35	46	50	165	197	265	14	mm
1 1/2"	1 1/4"	3/4"	1/2" – 3/4"	6.56	1.44	1.75	2.19	7.12	8.88	11.00	0.72	inches
				167	37	44	56	181	226	279	18	mm
2"	1 1/2"	3/4"	1/2" – 3/4"	6.94	1.50	1.88	2.25	7.75	9.50	12.28	0.88	inches
				176	38	48	57	197	241	312	22	mm
2 1/2"	2"	1"	3/4" – 1"	7.81	1.50	2.06	2.62	8.25	10.30	13.60	0.88	inches
				198	38	52	67	210	262	345	22	mm
3"	2" – 2 1/2"	1 1/4" – 1 1/2"	3/4" – 1 1/2"	8.62	2.88	3.56	3.00	10.44	12.00	16.64	1.09	inches
				219	73	90	76	265	305	423	28	mm

* Available threaded (NPT, BSPT, BSP) or "Q" Quick Release Nipple.

Type SXBP – Two ports, 180°, with Assembly Plate



Size (K)*	M	P	S	C	D	E	F	G	H	J	O	Units
1"	3/4"	1/2"	1/4" – 3/8"	4.12	1.12	1.38	1.88	5.79	7.02	9.17	0.44	inches
				105	28	35	48	147	178	232	11	mm
1 1/4"	1"	1/2"	3/8" – 1/2"	5.25	1.38	1.81	1.97	7.12	8.12	11.12	0.56	inches
				133	35	46	50	181	206	282	14	mm
1 1/2"	1 1/4"	3/4"	1/2" – 3/4"	6.56	1.44	1.75	2.19	7.81	9.50	11.75	0.72	inches
				167	37	44	56	198	241	298	18	mm
2"	1 1/2"	3/4"	1/2" – 3/4"	6.94	1.50	1.88	2.25	8.44	10.12	12.94	0.88	inches
				176	38	48	57	214	257	329	22	mm
2 1/2"	2"	1"	3/4" – 1"	7.81	1.50	2.06	2.62	8.88	11.00	14.31	0.88	inches
				198	38	52	67	226	279	363	22	mm
3"	2" – 2 1/2"	1 1/4" – 1 1/2"	3/4" – 1 1/2"	8.62	2.88	3.56	3.00	11.04	12.66	17.28	1.09	inches
				219	73	90	76	280	322	439	28	mm

* Available threaded (NPT, BSPT, BSP) or "Q" Quick Release Nipple.

Dimensions are for reference only and subject to change.