

ELS™ Rotary Joints

Type ELSJ 2" to 5"

Stationary Horizontal Pipe



The ELS (Extended Life Series) rotary joint is a self-supported joint that has been specifically designed to solve accelerated wear problems that occur with conventional self-supported rotary joints – particularly those in high vibration applications. The double-guide design provides internal support for the joint and maintains alignment even when the roll or cylinder is not concentric.

Standard ELSJ Ratings

Pressure:	300 psig (20 bar)
Temperature:	Up to 500°F (260°C)
Speed:	Up to 200 RPM
Media:	Steam
Pressure:	150 psig (10 bar)
Temperature:	Up to 650°F (343°C)
Speed:	Up to 200 RPM
Media:	Thermal Oil

Overview



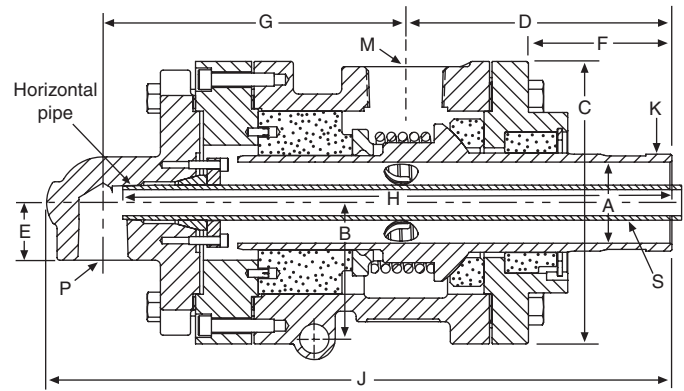
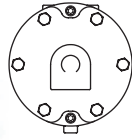
Features

- Designed for steam and thermal oil
- Two internal support guides
- Standard o-ring or preformed packing
- Stationary or rotating horizontal pipe
- Flexibility in mounting



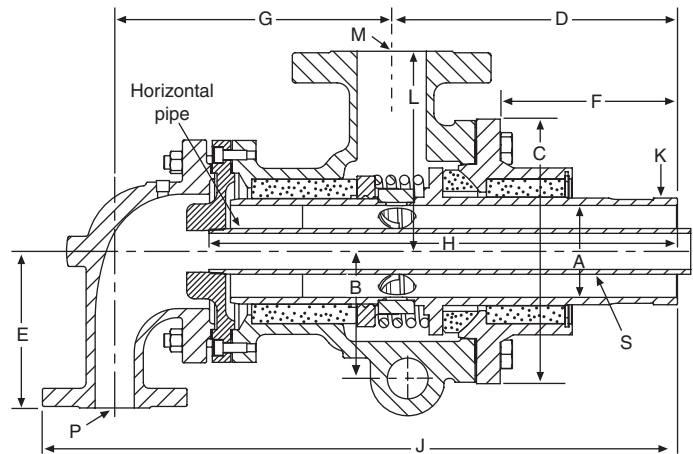
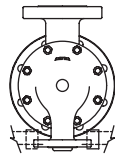
Benefits

- Application flexibility, simplified inventory
- Increased reliability and performance
- Reduced handling time, easy to maintain
- Extended operating life
- No special installation tools required



Size (K)	M	P	S	A	B	C	D	E	F	G	H	J	Units
2"	1½"	¾" - 1"	½"	1.94	3.25	6.75	6.36	1.38	3.43	7.24	13.12	14.94	inches
				49	83	171	161	35	87	184	333	380	mm
2½"	2" - 2½"	1" - 1½"	1"	2.30	3.25	7.25	7.47	1.38	4.23	7.69	14.53	16.41	inches
				58	83	184	190	35	107	195	369	417	mm
3"	2" - 2½"	1¼" - 1½"	¾" - 1½"	2.80	3.88	7.88	8.25	1.69	4.73	7.80	14.75	17.31	inches
				71	98	200	210	43	120	198	375	440	mm

Flanged connections available in 150 and 300 class flanges.



Size (K)	M	P	S	A	B	C	D	E	F	G	H	J	L	Units
3½"	3"	1½"	¼"	3.38	4.81	9.15	10.78	6.50	6.28	11.58	19.49	25.35	7.00	inches
				86	122	232	274	165	159	294	495	644	178	mm
4"	3"	1½"	½"	3.82	5.28	10.98	11.87	6.50	7.36	11.50	19.45	26.37	8.31	inches
				97	134	279	301	165	187	292	494	670	211	mm
5"	4"	2"	½"	4.72	6.50	13.74	15.64	6.50	9.80	12.81	24.21	31.58	10.32	inches
				120	165	349	397	165	249	325	615	802	262	mm

Flanged connections available in 150 and 300 class flanges.

Dimensions are for reference only and subject to change.

www.kadant.com

Kadant is a global supplier of high-value, critical components and engineered systems used in process industries worldwide.

KADANT JOHNSON LLC
805 Wood Street
Three Rivers, MI 49093 USA

Tel: +1-269-278-1715
Email: info@kadant.com

ELS Rotary Joints Type ELSJ 2" to 5" Stationary Horizontal Pipe-1000 (US) 12/2018
Replaces All Previous Versions
© 2018 Kadant Johnson LLC