

ELS™ Rotary Joints

Type ELSN 2" to 5"
Rotating Horizontal Pipe



The ELS (Extended Life Series) rotary joint is a self-supported joint that has been specifically designed to solve accelerated wear problems that occur with conventional self-supported rotary joints – particularly those in high vibration applications. The double-guide design provides internal support for the joint and maintains alignment even when the roll or cylinder is not concentric.

Standard ELSN Ratings

Pressure:	300 psig (20 bar)
Temperature:	Up to 500°F (260°C)
Speed:	Up to 200 RPM
Media:	Steam
Pressure:	150 psig (10 bar)
Temperature:	Up to 650°F (343°C)
Speed:	Up to 200 RPM
Media:	Thermal Oil

Overview



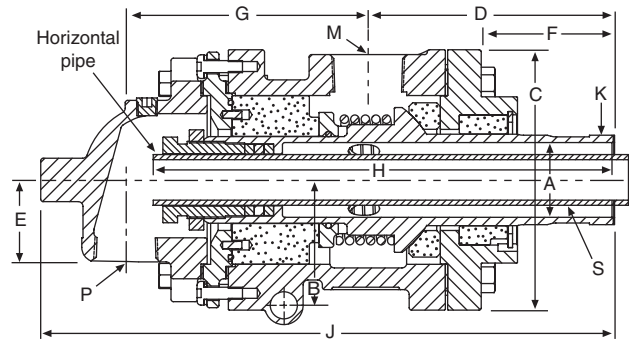
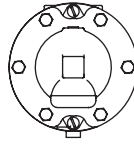
Features

- Designed for steam and thermal oil
- Two internal support guides
- Standard o-ring or preformed packing
- Stationary or rotating horizontal pipe
- Flexibility in mounting



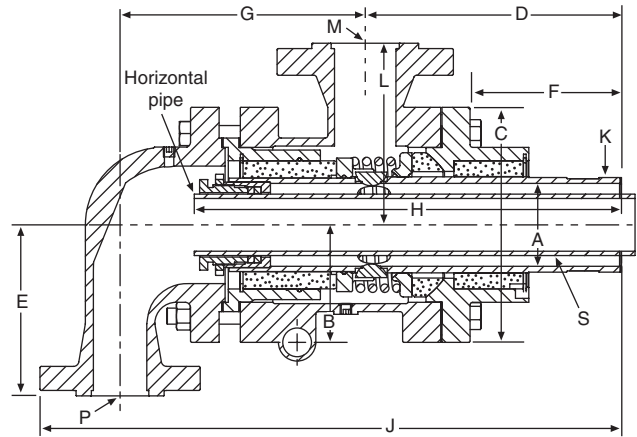
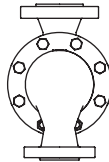
Benefits

- Application flexibility, simplified inventory
- Increased reliability and performance
- Reduced handling time, easy to maintain
- Extended operating life
- No special installation tools required



Size (K)	M	P	S	A	B	C	D	E	F	G	H	J	Units
2"	1½"	¾" - 1¼"	½" - 1"	1.94	3.25	6.75	6.38	2.12	3.44	6.28	12.00	14.88	inches
				49	83	171	162	54	87	160	305	378	mm
2½"	2" - 2½"	1" - 1¼"	¾" - 1¼"	2.30	3.62	7.25	7.50	2.25	4.25	7.00	13.44	15.75	inches
				58	92	184	191	57	108	178	341	400	mm
3"	2" - 2½"	1" - 1¼"	¾" - 1½"	2.80	4.06	7.88	8.25	2.38	4.75	7.81	14.75	17.53	inches
				71	103	200	210	60	121	198	375	445	mm
3½"	3"	1¼" - 1½"	1" - 1½"	3.38	4.69	9.25	10.31	3.12	6.25	9.56	18.44	24.12	inches
				86	119	235	262	79	159	243	468	613	mm

Flanged connections available in 150 and 300 class flanges.



Size (K)	M	P	S	A	B	C	D	E	F	G	H	J	L	Units
3½"	3"	1½"	1¼"	3.38	4.69	9.15	10.78	6.50	6.28	11.58	19.49	25.35	7.00	inches
				86	119	232	274	165	159	294	495	644	178	mm
4"	3"	2½"	1¼" - 1½"	3.88	5.50	11.00	12.00	8.00	7.06	11.38	20.00	27.12	8.50	inches
				99	140	279	305	203	179	289	508	689	216	mm
5"	4"	3"	3"	4.75	6.87	13.75	15.69	10.00	9.12	13.88	24.94	33.69	10.38	inches
				121	175	349	399	254	232	353	633	856	264	mm

Flanged connections available in 150 and 300 class flanges.

Dimensions are for reference only and subject to change.

www.kadant.com

Kadant is a global supplier of high-value, critical components and engineered systems used in process industries worldwide.

KADANT JOHNSON LLC
805 Wood Street
Three Rivers, MI 49093 USA

Tel: +1-269-278-1715
Email: info@kadant.com

ELS Rotary Joints Type ELSN 2" to 5" Rotating Horizontal Pipe-1000 (US) 12/2018
Replaces All Previous Versions
© 2018 Kadant Johnson LLC