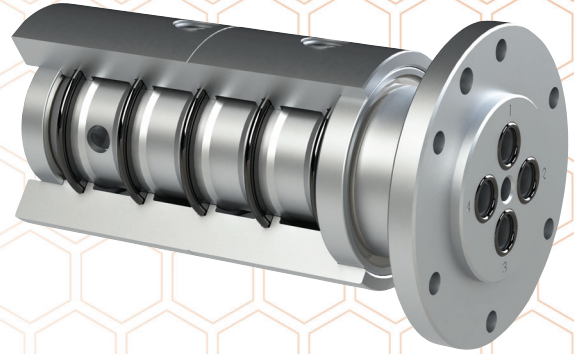


# Multi-Passage Rotary Unions

Multi-passage (MP) rotary unions transfer multiple media into and out of rotating equipment. Multiple sealed passages maintain media separation and multiple types of media can be transferred in any direction. MP rotary unions can be used on rotating equipment, such as a drum, index table, clutch, or spindle.



## Overview



### Features

- Mechanical or DuraSeal™ sealing technology
- Simple construction
- Two to 12 flow passages
- Air, coolant, oil, steam, and water capable
- Steel, stainless steel, aluminum, or brass construction
- Port for electrical slip ring



### Benefits

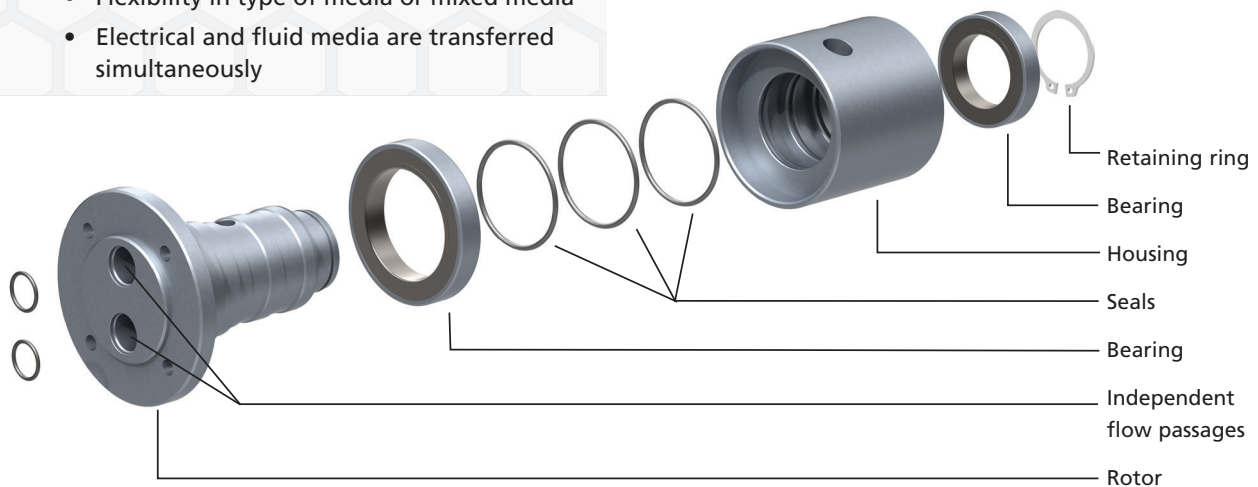
- Robust sealing technology for every application
- Reliable, leak-free performance
- Accommodates multiple media flows in any direction
- Flexibility in type of media or mixed media
- Electrical and fluid media are transferred simultaneously

## Standard Ratings

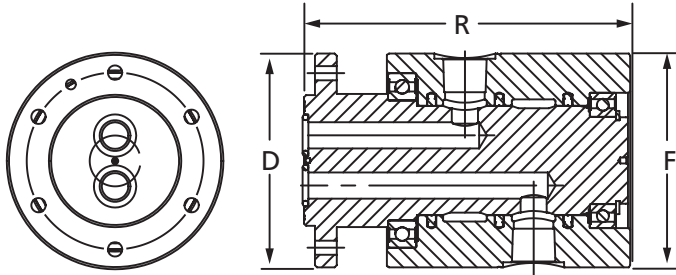
Pressure (Max)*	4,500 psi (310 bar)
Temperature (Max)*	Up to 200°F (93°C)
Speed (Max)*	Up to 250 rpm
Passage Sizes**	1/8", 1/4", 3/8", 1/2"
Connection Type	NPT, BSPT, G/BSP (ISO 228), O-ring

\* Dependent on application conditions

\*\* Consult factory for passage size options above six passages

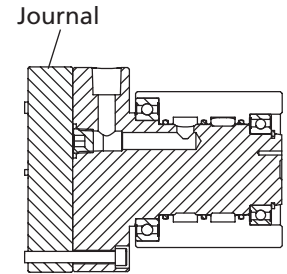
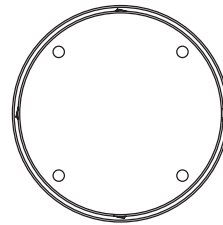
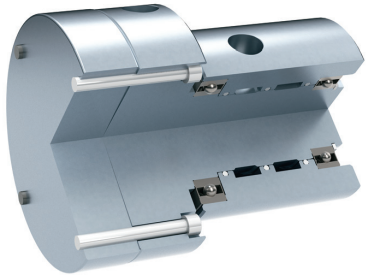


## Reference Dimension



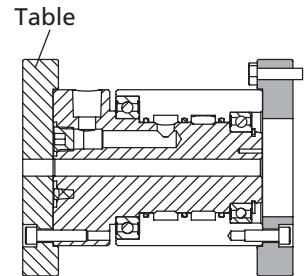
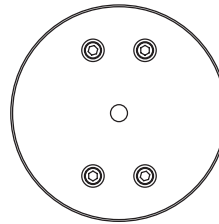
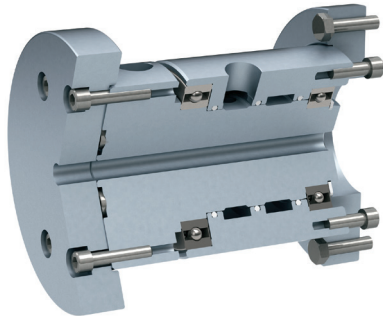
Type		D	F	R	Units
2 Passage	No e-port	3.86	3.86	5.79	inches
		98	98	147	mm
	With e-port	5.12	3.86	5.79	inches
		130	98	147	mm
4 Passage	No e-port	3.86	3.86	8.35	inches
		98	98	212	mm
	With e-port	5.12	3.86	8.35	inches
		130	98	212	mm
6 Passage	No e-port	4.92	4.92	11.93	inches
		125	125	303	mm
	With e-port	5.83	5.31	12.01	inches
		148	135	305	mm
8 Passage	No e-port	4.92	4.92	14.69	inches
		125	125	373	mm
	With e-port	5.83	5.31	14.76	inches
		148	135	375	mm
10 Passage	No e-port	5.91	5.31	17.80	inches
		150	135	452	mm
	With e-port	5.91	5.31	17.99	inches
		150	135	457	mm
12 Passage	No e-port	5.91	5.31	20.24	inches
		150	135	514	mm
	With e-port	5.91	5.31	20.47	inches
		150	135	520	mm

## Journal mounting option



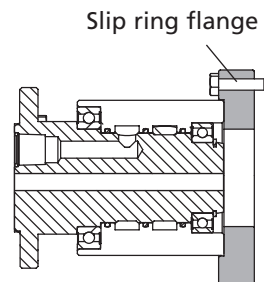
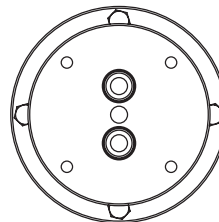
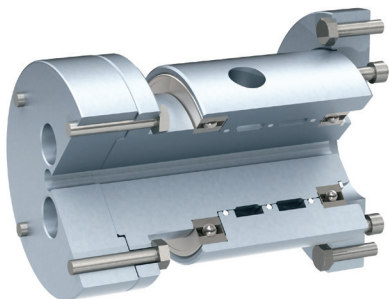
*Bolt pattern determined by customer.*

## Table mounting option



*Bolt pattern determined by customer.*

## Accessory mounting option (for use with electrical slip rings)



*Bolt pattern determined by customer.*

*Specifications are for reference only and subject to change.*