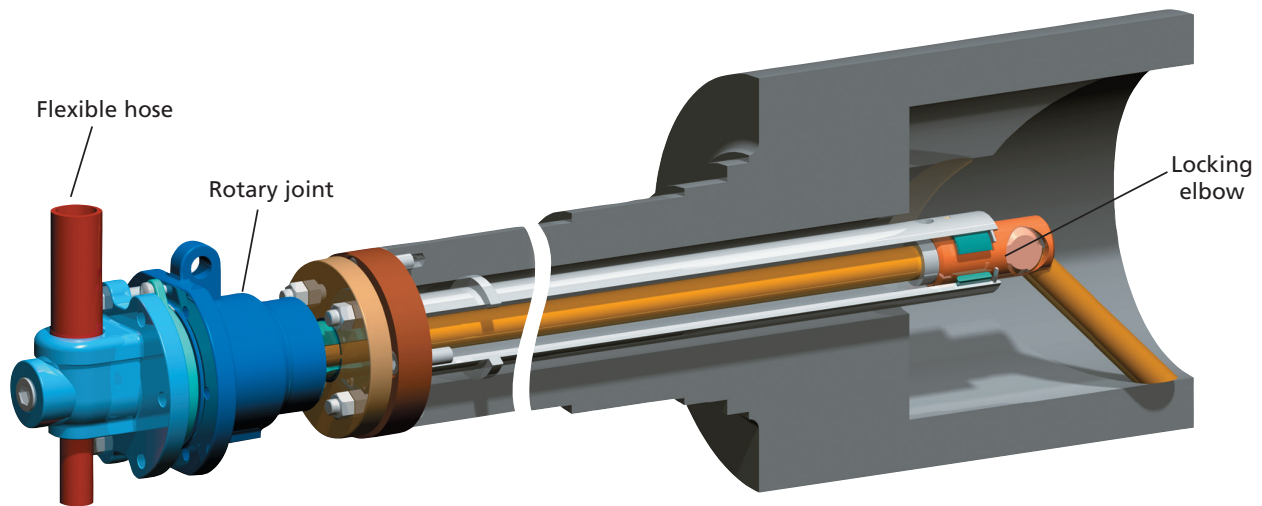
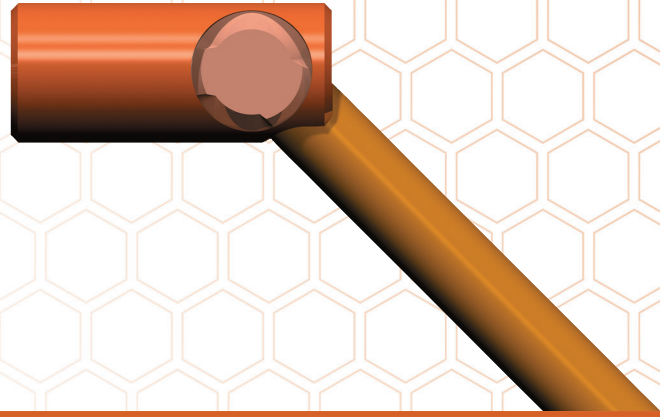


45 Degree Locking Elbow

Syphon Elbow

The 45 degree Locking Elbow is the first syphon elbow to feature a pinless design. The Locking Elbow is designed for high-speed, small roll diameter applications. The stainless steel horizontal body is secured to the vertical leg using a proprietary locking mechanism. As an integral component of the steam joint, the Locking Elbow is a maintenance-free, reliable syphon elbow.



Features



- Stainless steel construction
- Patent pending pinless design
- Simple installation tool
- Increased robustness of syphon system

Benefits



- Corrosion resistant materials
- Easy installation and removal
- Increased reliability
- Capable of blind installation

Dimensions are for reference only and subject to change.