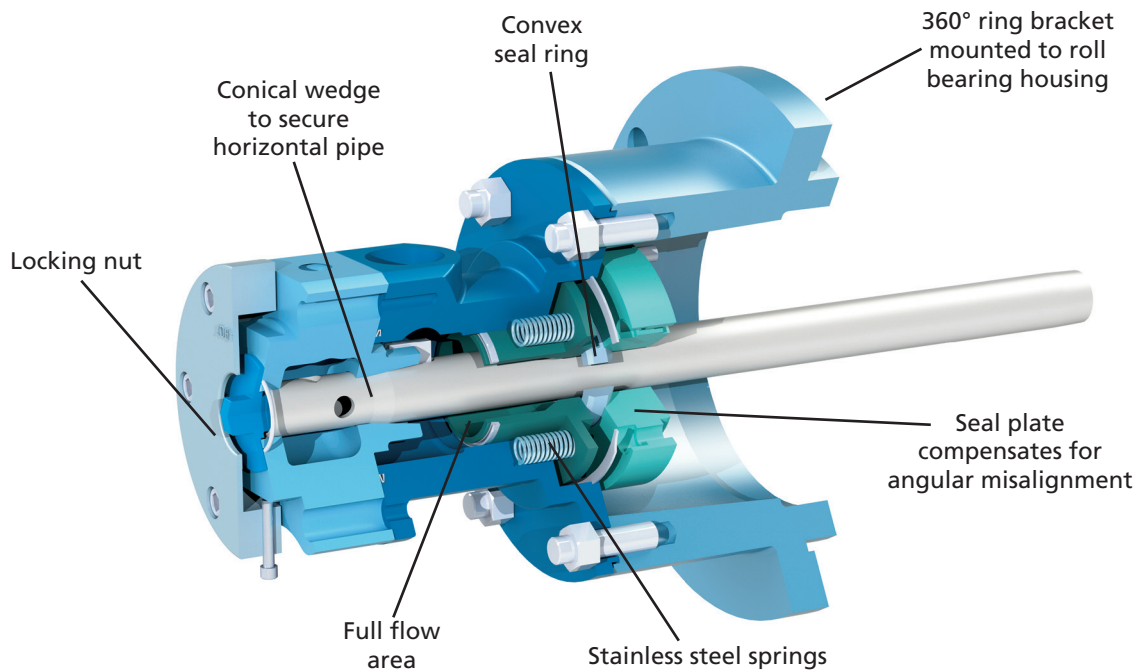


# CorrPro<sup>®</sup> Rotary Joints

## Corrugator Steam Joint

The CorrPro rotary joint from Kadant Johnson was the first to include an externally adjustable syphon clearance that is adjustable from outside the roll. The patented design allows the operator to adjust the clearance between the internal roll surface and the syphon vertical pipe after the joint and syphon equipment is installed.



### Features

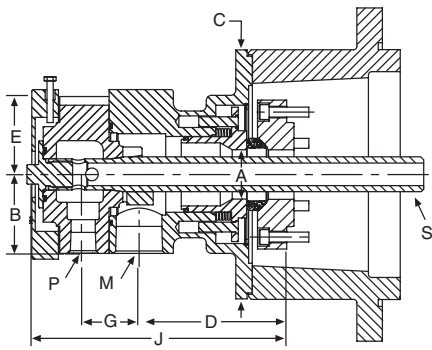


- Balanced seal design with Silver Streak™ seal ring technology
- Circular bracket mounting
- Adjustable syphon clearance option
- Accommodates thermal expansion up to 25 mm

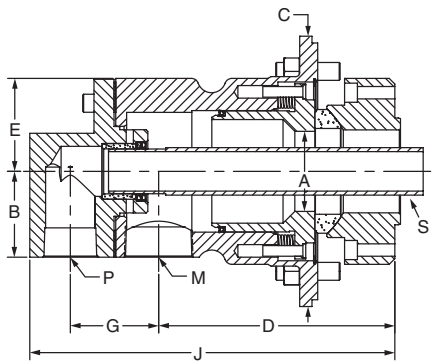
### Benefits



- Minimized seal loading and seal wear
- Rigid support for safety and reliability
- Optimal heat transfer and temperature uniformity
- Designed for “wide roll” installations



Size	Syphon Type	M	P	S	A	B	C	D	E	G	J	Units
1 1/2"	Stationary	1 1/4", 1 1/2"	3/4", 1"	3/4"	1.88	3.00	9.45	5.38	3.00	2.12	8.37	inches
					48	76	240	137	76	54	213	mm
1 1/2"	Rotating	1 1/4", 1 1/2"	3/4", 1"	3/4", 1"	1.88	3.00	9.45	4.30	3.00	2.12	8.37	inches
					48	76	240	109	76	54	213	mm



Size	Syphon Type	M	P	S	A	B	C	D	E	G	J	Units
2"	Rotating	2"	1 1/2"	1 1/4"	2.80	3.25	9.50	8.26	3.00	3.09	12.76	inches
					71	83	241	210	76	78	324	mm

*Dimensions are for reference only and subject to change.*