

# ELSX™ Rotary Joint

Type ELSXJ 2" to 3.5"  
Stationary Horizontal Pipe



The extended life ELSX rotary joint is designed to perform in high-pressure, high-speed, and high-vibration applications. Its convex seal design delivers up to 20% more combined pressure and velocity capability (PV) and up to 15% more seal ring wear life in steam applications than the previous generation of extended life joints. Increased carbon guide separation and contact surfaces ensure greater horizontal pipe stability. The ELSX rotary joint enables faster runnability and increased up-time across applications.

## Standard ELSX Ratings

Media:	Steam
Pressure:	Up to 300 psig (20 bar)
Temperature:	Up to 500°F (260°C)
Speed:	Up to 300 RPM
Media:	Thermal Oil
Pressure:	Up to 150 psig (10 bar)
Temperature:	Up to 650°F (343°C)
Speed:	Up to 300 RPM

## Overview



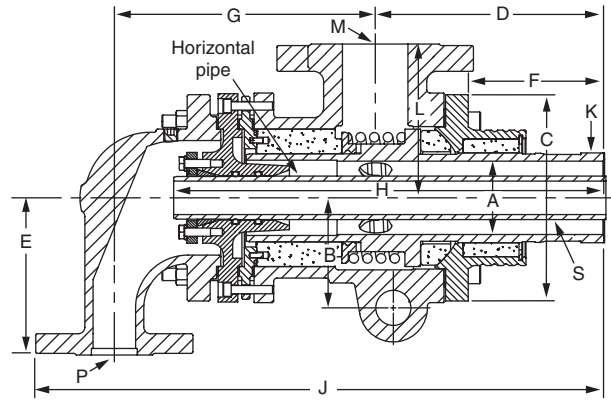
### Features

- Robust convex seal design
- Designed for steam and thermal oil
- Wide carbon guide separation and wide wear surface
- Standard O-ring or preformed packing
- Proprietary preloaded design for thermal oil sealing



### Benefits

- Faster runnability
- Increased up-time
- High combined pressure and velocity capability (PV)
- Extended carbon guide and seal ring wear life and increased horizontal pipe stability
- Application and installation flexibility
- Easy to maintain, no special tools required



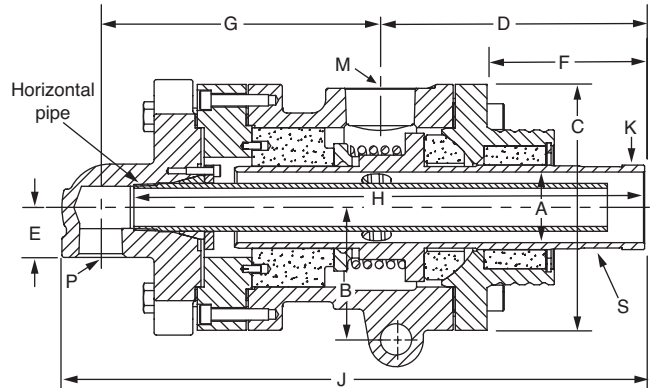
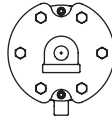
### Flanged Connection - Stationary Pipe

Size (K)	M	P	S	A	B	C	D*	E	F*	G	H	J*	L	Units
2"	1½"	¾" - 1¼"	½"	1.94	3.63	6.75	7.26	3.75	4.33	10.24	13.43	19.8	5.24	inches
				49	92	172	184	95	110	260	341	503	133	mm
2½"	2"	1¼"	¾" - 1½"	2.3	3.74	7.4	8.3	5.25	8.3	7.96	13.81	18.88	5.62	inches
				58	95	188	211	133	211	202	351	480	143	mm
3"	2½"	1¼" - 2"	1" - 1½"	2.80	4.20	7.87	8.73	6	535	9.15	15.44	21.3	5.87	inches
				71	107	200	222	152	13	232	392	541	149	mm
3½"	2½" - 3"	1½" - 2½"	1" - 2"	3.38	4.81	9.15	10.33	6.5	6.28	12.03	19.5	25.36	6.75	inches
				86	122	232	262	165	159	306	495	644	171	mm

Flanged connections available in 150 and 300 class flanges.

\*These dimensions vary for thermal oil, consult factory.

\*These dimensions will increase with seal ring wear.



### Threaded Connections - Stationary Pipe

Size (K)	M	P	S	A	B	C	D*	E	F*	G	H	J*	Units
2"	1¼" - 1½"	¾" - 1¼"	½"	1.94	3.63	6.75	7.25	1.38	4.33	7.68	14.02	16	inches
				49	92	172	184	35	110	195	356	406	mm
2½"	1¼" - 2½"	¾" - 1½"	¾" - 1½"	2.3	3.75	7.4	8.05	1.38	4.81	7.69	14.96	16.99	inches
				58	95	188	205	35	122	195	380	431	mm
3"	2" - 2½"	1¼" - 1½"	1" - 1½"	2.80	4.20	7.87	8.72	2.38	8.72	7.8	15.29	17.96	inches
				71	107	200	221	60	221	198	338	456	mm

\*These dimensions vary for thermal oil, consult factory.

\*These dimensions will increase with seal ring wear.

Dimensions are for reference only and subject to change.