

RX[®] Rotary Union

2" to 3" Single Flow



The RX rotary union connects stationary piping to a rotating device. The fluid is sealed by precision, micro-lapped seals that provide a uniform, full-flow design. The union is supported by two widely-spaced anti-friction bearings and is available with a bearing isolation system for added bearing protection. The RX union is capable of intermittent dry running and features a 100% pure-molded carbon graphite or silicon carbide seal and tungsten carbide counterseat.

Standard RX Ratings

Pressure:	200 psig (13 bar)
Temperature:	220°F (105°C)
Speed, flanged rotor:	1,000 RPM
Speed, thread rotor:	750 RPM
Media:	Water, Thermal Oil

Consult Kadant Johnson for RX-1, RX-2, and RX-3 unions for applications up to 450°F (232°C). High-pressure RX-4 and RX-5 water unions are available in 2" size up to 400°F (204°C) and 363 psig (25 bar).

Overview



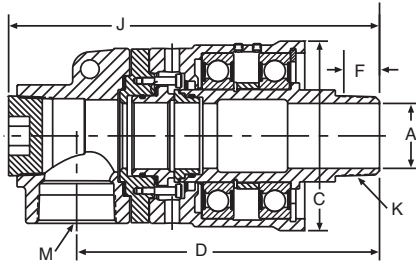
Features

- Springs located outside the flow area
- Stainless steel rotor
- Two-piece housing, on-machine seal replacement
- O-rings fully captured in glands
- Balanced seal assembly
- Full flow area
- Matched seal faces
- Bearing isolation system available
- Tungsten carbide counterseat

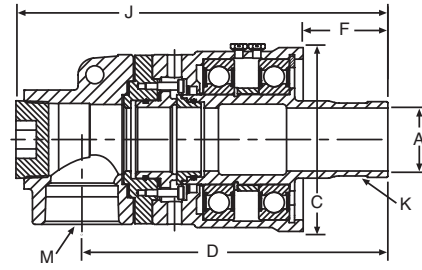


Benefits

- Improved reliability, increased flow area
- Corrosion resistant
- Reduced down-time and cost of maintenance
- Robust design, no risk of o-ring slipping
- Extended operating life
- Low pressure drop
- Materials selected for specific service
- Increased bearing protection
- Added toughness and shock resistance



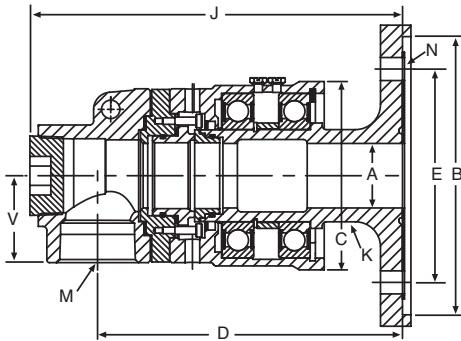
Taper thread nipple



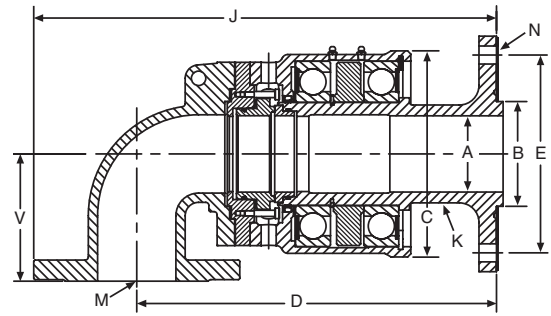
Q flange nipple

M NPT	K Nipple	Part ID	A	C	D	F	J	Approx. Weight
2"	2" NPT RH	12K40600	1.90"	5.60"	9.00"	0.70"	11.00"	28 lb
	2" NPT LH	12K40625						
	2" - BSP RH	12K40650	49	143	229	29*	280	13 Kg
	2" - BSP LH	12K40660						
	Q Flange	12K40675	1.90"	5.60"	9.40"	2.60"	11.40"	28 lb
2½"	2½" NPT RH	12K45600	2.40"	6.90"	10.70"	0.93"	13.20"	43 lb
	2½" NPT LH	12K45625						
	2½" - BSP RH	12K45640	61	174	271	38*	334	20 Kg
	2½" - BSP LH	12K45645						
	Q Flange	12K40630	2.40"	6.90"	10.70"	2.80"	13.20"	43 lb
3"	3" NPT RH	12K51100	2.90"	7.90"	12.90"	1.02"	15.60"	64 lb
	3" NPT LH	12K51125						
	3" - BSP RH	12K51350	74	200	327	45*	397	29 Kg
	3" - BSP LH	12K51360						
	Q Flange	12K51135	2.90"	7.90"	12.50"	3.30"	15.30"	64 lb

*Lock-up dimension for straight threads.



2" and 2½" integral flange



3" integral flange

M	K Nipple	Part ID	A	B*	C	D	E	J	N	V	Approx. Weight
2" NPT	9" O.D. Flange	12K40690	1.90"	8.32"	5.60"	9.10"	6.38"	11.10"	4 x 1/2"	2.60"	39 lb
2" (150 lb ASA)	9" O.D. Flange	12K40695	1.90"	8.32"	5.60"	10.70"	6.38"	13.90"	4 x 1/2"	3.70"	41 lb
2½" NPT	9" O.D. Flange	12K45675	2.40"	8.32"	6.90"	10.70"	6.38"	12.90"	4 x 1/2"	3.00"	53 lb
2½" (150 lb ASA)	9" O.D. Flange	12K45685	2.40"	8.32"	6.90"	12.20"	6.38"	15.60"	4 x 1/2"	4.10"	56 lb
3" NPT	9" O.D. Flange	12K51150	2.90"	4.00"	7.90"	12.51"	7.56"	15.30"	6 x 1/2"	3.50"	72 lb
3" (150 lb ASA)	9" O.D. Flange	12K51190	2.90"	4.00"	7.90"	13.70"	7.56"	17.70"	6 x 1/2"	4.90"	75 lb

* For 2" and 2½" sizes, the 'B' dimension is the ID of the counterbore. Counterbore depth is 0.25" (6.4 mm).
For 3" size, the 'B' dimension is the OD of the pilot. Pilot length 0.30" (7.6 mm).

Dimensions are for reference only and subject to change.