

RX[®] Rotary Union

2" to 3" Dual Flow



The RX rotary union connects stationary piping to a rotating device. The fluid is sealed by precision, micro-lapped seals that provide a uniform, full-flow design. The union is supported by two widely-spaced anti-friction bearings and is available with a bearing isolation system for added bearing protection. The RX union is capable of intermittent dry running and features a 100% pure-molded carbon graphite or silicon carbide seal and tungsten carbide counterseat.

Standard RX Ratings

Pressure:	200 psig (13 bar)
Temperature:	220°F (105°C)
Speed, flanged rotor:	1,000 RPM
Speed, thread rotor:	750 RPM
Media:	Water, Thermal Oil

Consult Kadant Johnson for RX-1, RX-2, and RX-3 unions for applications up to 450°F (232°C). High-pressure RX-4 and RX-5 water unions are available in 2" size up to 400°F (204°C) and 363 psig (25 bar).

Overview



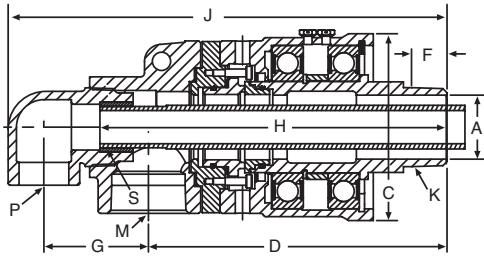
Features

- Springs located outside the flow area
- Stainless steel rotor
- Two-piece housing, on-machine seal replacement
- O-rings fully captured in glands
- Balanced seal assembly
- Full flow area
- Matched seal faces
- Bearing isolation system available
- Tungsten carbide counterseat

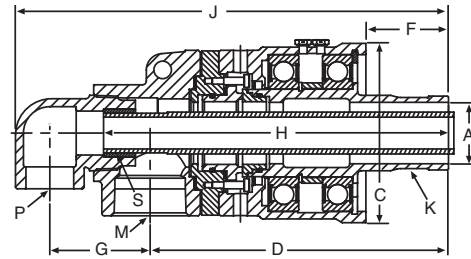


Benefits

- Improved reliability, increased flow area
- Corrosion resistant
- Reduced down-time and cost of maintenance
- Robust design, no risk of o-ring slipping
- Extended operating life
- Low pressure drop
- Materials selected for specific service
- Increased bearing protection
- Added toughness and shock resistance



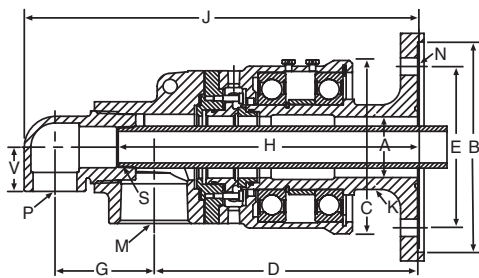
Taper thread nipple



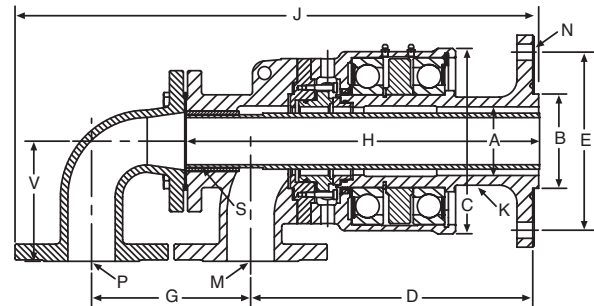
Q flange nipple

M NPT	K Nipple	Part ID		A	C	D	F	G	H	J	P NPT	S		Approx. Weight
		Fixed Pipe	Rotating Pipe									NPT Fixed Pipe	Rotating Pipe OD	
1 1/4"	2" NPT RH	12K41498	12K42704	1.90"	5.60"	9.00"	0.70"	3.15"	10.46"	13.20"	1"	1"	1.247" 1.244"	30 lb
	2" NPT LH	12K41499	12K42705											
	2" - BSP RH	12K42600	12K42810	49	143	229	29*	79	269	336	1"	1"	31.67 31.59	14 Kg
	2" - BSP LH	12K42610	12K42820											
	Q Flange	12K42250	12K42875	1.90"	5.60"	9.40"	2.60"	3.15"	10.80"	13.60"	1"	1"	1.247" 1.244"	30 lb
2 1/2"	2 1/2" NPT RH	12K45900	12K45978	2.40"	6.90"	10.70"	0.93"	3.90"	12.10"	15.80"	1 1/2"	1 1/2"	1.877" 1.874"	45 lb
	2 1/2" NPT LH	12K45910	12K45980											
	2 1/2" - BSP RH	12K45930	12K46140	61	174	271	38*	371	307	402	1 1/2"	1 1/2"	47.68 47.60	20 Kg
	2 1/2" - BSP LH	12K45940	12K46145											
	Q Flange	12K45995	12K46205	2.40"	6.90"	10.66"	2.80"	3.93"	12.90"	15.80"	1 1/2"	1 1/2"	1.877" 1.874"	45 lb
2"	3" NPT RH	12K52090	12K52918	2.90"	7.90"	12.90"	1.02"	4.90"	14.70"	19.30"	2"	2"	2.247" 2.244"	71 lb
	3" NPT LH	12K52095	12K52920											
	3" - BSP RH	12K52210	12K52938	74	200	327	45*	453	373	491	2"	2"	57.07 57.00	32 Kg
	3" - BSP LH	12K52220	12K52936											
	Q Flange	12K52275	12K52950	2.90"	7.90"	12.50"	3.30"	4.90"	15.60"	19.00"	2"	2"	2.247" 2.244"	71 lb

*Lock-up dimension for straight threads.



2" and 2 1/2" integral flange



3" integral flange

M	K Nipple	Part ID		A	B*	D	E	G	H	J	N	P	S		V	Approx. Weight
		Fixed Pipe	Rotating Pipe										NPT Fixed Pipe	Rotating Pipe OD		
1 1/4" NPT	9" O.D. Flange	12K41520	12K42720	1.90"	8.32"	9.12"	6.38"	3.15"	10.33"	13.34"	4 x 1/2"	1"	1"	1.247" 1.244"	2.60"	40 lb
1" (150 lb ASA)	9" O.D. Flange	12K42708	12K42718	1.90"	8.32"	8.70"	6.38"	4.80"	10.75"	15.80"	4 x 1/2"	1"	1"	1.247" 1.244"	4.00"	45 lb
1 1/2" NPT	9" O.D. Flange	12K46110	12K46125	2.40"	8.32"	10.40"	6.38"	3.90"	12.40"	15.60"	4 x 1/2"	1 1/2"	1 1/2"	1.877" 1.874"	3.00"	57 lb
1 1/2" (150 lb ASA)	9" O.D. Flange	12K46800	12K46825	2.40"	8.32"	10.30"	6.38"	6.20"	12.40"	19.20"	4 x 1/2"	1 1/2"	1 1/2"	1.877" 1.874"	4.60"	69 lb
2" NPT	9" O.D. Flange	12K52675	12K52725	2.90"	4.00"	12.50"	7.56"	4.90"	15.60"	19.00"	6 x 1/2"	2"	2"	2.247" 2.244"	3.50"	79 lb
2" (150 lb ASA)	9" O.D. Flange	12K53220	12K53240	2.90"	4.00"	12.00"	7.56"	6.80"	14.71"	22.20"	6 x 1/2"	2"	2"	2.247" 2.244"	5.10"	94 lb

* For 2" and 2 1/2" sizes, the 'B' dimension is the ID of the counterbore. Counterbore depth is 0.25" (6.4 mm).
For 3" size, the 'B' dimension is the OD of the pilot. Pilot length 0.30" (7.6 mm).

Dimensions are for reference only and subject to change.