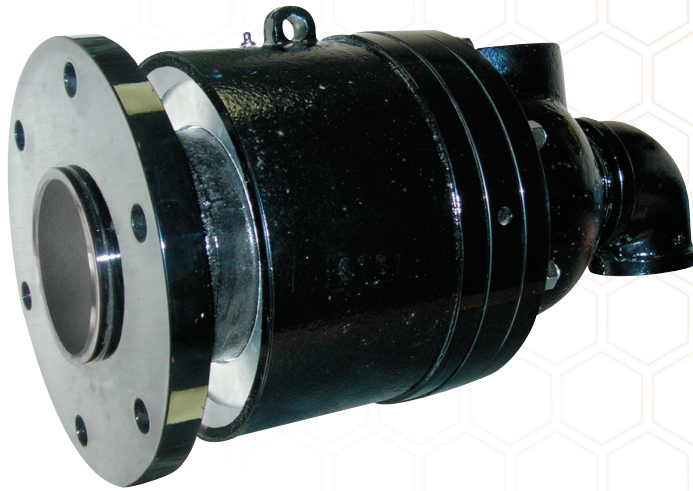


RX Rotary Union

4" to 8" Deep Groove Ball Bearing Support



The RX rotary union connects stationary piping to a rotating device. The fluid is sealed by precision, micro-lapped seals that provide a uniform, full-flow design. The union is supported by two widely-spaced anti-friction bearings and is available with a bearing isolation system for added bearing protection. The RX union is capable of intermittent dry running and features a 100% pure-molded carbon graphite or silicon carbide seal and tungsten carbide counterseat.

Standard RX Ratings

Pressure:	150 psig (10 bar)
Temperature:	300°F (150°C)
Speed:	750 RPM
Media:	Water, Thermal Oil

Overview



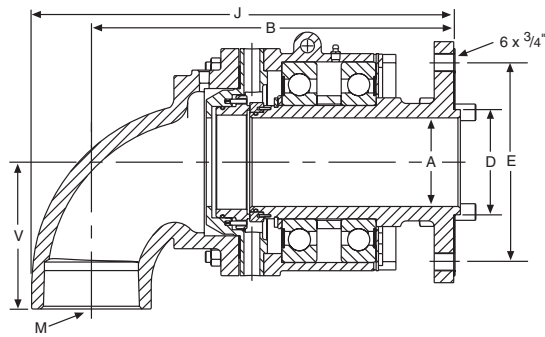
Features

- Springs located outside the flow area
- Stainless steel rotor
- Two-piece housing, on-machine seal replacement
- O-rings fully captured in glands
- Balanced seal assembly
- Full flow area
- Matched seal faces
- Bearing isolation system available
- Tungsten carbide counterseat

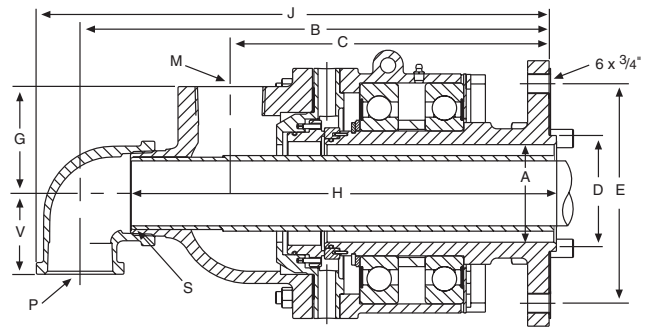


Benefits

- Improved reliability, increased flow area
- Corrosion resistant
- Reduced down-time and cost of maintenance
- Robust design, no risk of o-ring slipping
- Extended operating life
- Low pressure drop
- Materials selected for specific service
- Increased bearing protection
- Added toughness and shock resistance



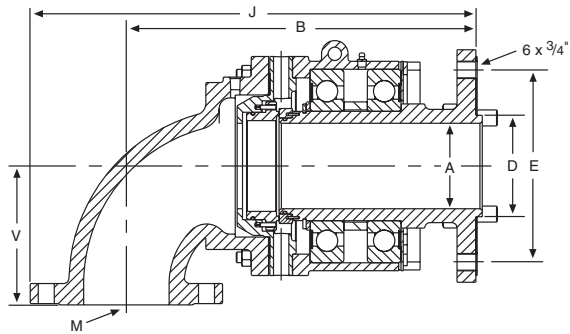
Single flow threaded connection



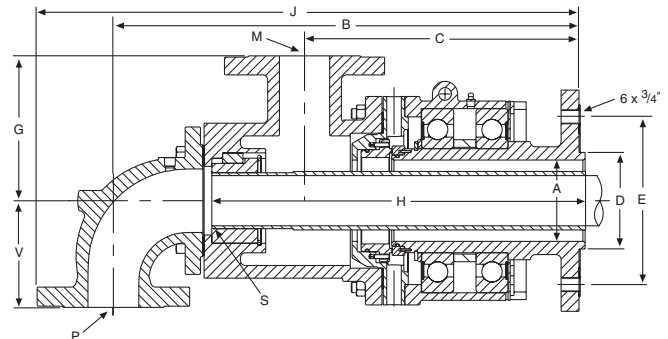
Dual flow threaded connection

Flow	M NPT	Part ID	A	B	C	D*	E	G	H	J	P NPT	S	V	Approx. Weight
Single	4"	12K55600	4.00"	16.34"	-	4.75"	9.00"	-	-	19.06"	-	-	6.62"	154 lb
			100 mm	415 mm	-	120 mm	229 mm	-	-	484 mm			168 mm	70 Kg
Dual	2 1/2"	12K57700	4.00"	19.06"	13.15"	4.75"	9.00"	4.38"	17.13"	20.88"	2 1/2"	2.750" 2.748"	3.00"	145 lb
			100 mm	484 mm	334 mm	120 mm	229 mm	111 mm	436 mm	530 mm			76 mm	66 Kg

*Pilot length 0.30" (7.6 mm).



Single flow flanged connection



Dual flow flanged connection

Flow	M (150 lb ASA)	Part ID	A	B	C	D*	E	G	H	J	P (150 lb ASA)	S	V	Approx. Weight
Single	4"	12K55700	4.00"	16.34"	-	4.75"	9.00"	-	-	20.88"	-	-	6.50"	164 lb
			100 mm	415 mm	-	120 mm	229 mm	-	-	530 mm			165 mm	75 Kg
Single	5"	12K60600	5.00"	19.10"	-	6.29"	8.86"	-	-	22.97"	-	-	7.63"	264 lb
			127 mm	485 mm	-	160 mm	225 mm	-	-	583 mm			194 mm	120 Kg
Single	8"	-	7.24"	28.2"	-	7.97"	12.01"	-	-	34.9"	-	-	12.01"	425 lb
			184 mm	715 mm	-	202 mm	305 mm	-	-	887 mm			305 mm	193 Kg
Dual	2 1/2"	12K58250	4.00"	22.91"	13.50"	4.75"	9.00"	7.12"	17.00"	26.62"	2 1/2"	2.750" 2.748"	5.25"	209 lb
			100 mm	582 mm	343 mm	120 mm	229 mm	181 mm	433 mm	677 mm			133 mm	95 Kg
Dual	3"	12K61050	5.00"	26.00"	16.88"	6.29"	8.86"	8.38"	19.94"	29.75"	3"	3.324" 3.322"	5.50"	280 lb
			127 mm	661 mm	428 mm	160 mm	225 mm	212 mm	507 mm	756 mm			140 mm	127 Kg

*Pilot length 0.30" (7.6 mm), except 8" size is 0.276" (7mm).

Dimensions are for reference only and subject to change.