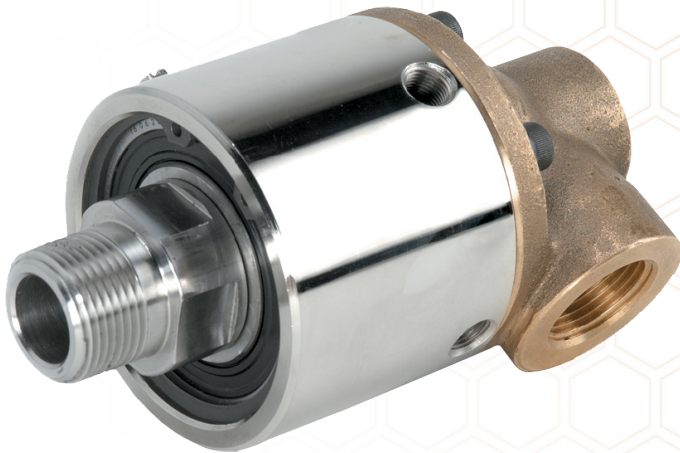


RX[®] Rotary Union

3/8" to 1 1/2" Single and Dual Flow



The RX rotary union connects stationary piping to a rotating device. The fluid is sealed by precision, micro-lapped seals that provide a uniform, full-flow design. The union is supported by two widely-spaced anti-friction bearings and is available with a bearing isolation system for added bearing protection. The RX union is capable of intermittent dry running and features a 100% pure-molded carbon graphite or silicon carbide seal and tungsten carbide counterseat.

Standard RX Ratings

Pressure:	200 psig (13 bar)
Temperature:	220°F (105°C)
Speed, straight thread:	3,500 RPM
Speed, NPT thread:	1,500 RPM
Media:	Water, Air

Consult Kadant Johnson for RX-1, RX-2, and RX-3 unions for applications up to 450°F (232°C).

Overview



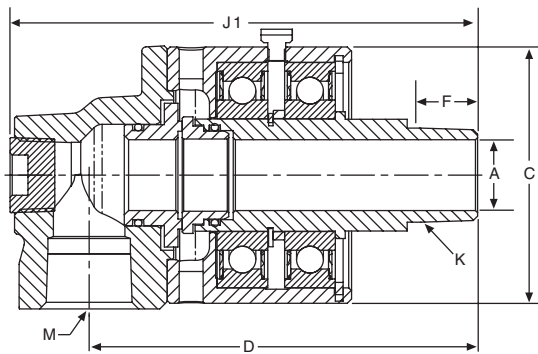
Features

- Springs located outside the flow area
- Stainless steel rotor
- Two-piece housing, on-machine seal replacement
- O-rings fully captured in glands
- Balanced seal assembly
- Full flow area
- Matched seal faces
- Bearing isolation system available
- Tungsten carbide counterseat

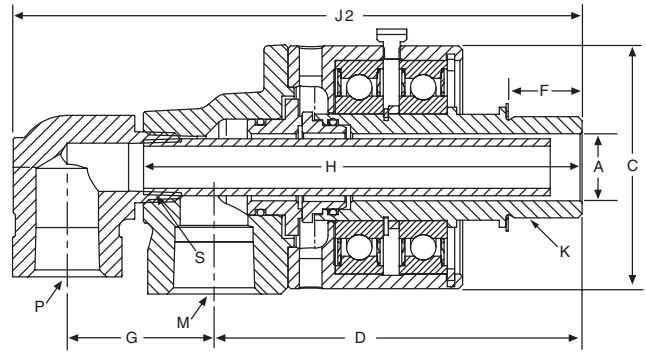


Benefits

- Improved reliability, increased flow area
- Corrosion resistant
- Reduced down-time and cost of maintenance
- Robust design, no risk of o-ring slipping
- Extended operating life
- Low pressure drop
- Materials selected for specific service
- Increased bearing protection
- Added toughness and shock resistance



Single flow taper thread rotor



Dual flow straight thread rotor

M NPT	K Rotor Thread	Part ID			A	C	D	F	G	H	J1	J2	P NPT	S		Approx. Weight
		Single Flow	Dual Flow Fixed Pipe	Dual Flow Rotating Pipe										NPT Fixed Pipe	Rotating Pipe OD	
3/8"	3/8" NPT RH	12K03125	12K04100	-	0.38"	2.54"	3.92"	0.41"	1.42"	4.60"	4.67"	6.01"	1/4"	1/4"*	-	2 lb
	3/8" NPT LH	12K03150	12K04125	-	0.38"	2.54"	3.92"	0.62"	1.42"	4.60"	4.67"	6.01"	1/4"	1/4"*	-	2 lb
	5/8" - 18 UNF RH	12K03225	12K04200	-	0.38"	2.54"	3.92"	0.62"	1.42"	4.60"	4.67"	6.01"	1/4"	1/4"*	-	2 lb
	5/8" - 18 UNF LH	12K03250	12K04250	-	0.38"	2.54"	3.92"	0.62"	1.42"	4.60"	4.67"	6.01"	1/4"	1/4"*	-	2 lb
	3/8" BSP RH	12K03450	12K04525	-	10	64	100	16	36	123	119	153	1/4"	M6 x 1"*	-	0.9 Kg
	3/8" BSP LH	12K03460	12K04550	-	10	64	100	16	36	123	119	153	1/4"	M6 x 1"*	-	0.9 Kg
1/2"	1/2" NPT RH	12K06125	12K07125	12K07250	0.50"	2.54"	4.03"	0.53"	1.42"	4.60"	4.79"	6.01"	3/8"	1/8"	0.375" 0.373"	3 lb
	1/2" NPT LH	12K06150	12K07150	12K07260	0.50"	2.54"	4.03"	0.75"	1.42"	4.60"	4.79"	6.01"	3/8"	1/8"	0.375" 0.373"	3 lb
	3/4" - 16 UNF RH	12K06325	12K07390	12K07400	0.50"	2.54"	4.03"	0.75"	1.42"	4.60"	4.79"	6.01"	3/8"	1/8"	0.375" 0.373"	3 lb
	3/4" - 16 UNF LH	12K06350	12K07392	12K07405	0.50"	2.54"	4.03"	0.75"	1.42"	4.60"	4.79"	6.01"	3/8"	1/8"	0.375" 0.373"	3 lb
	1/2" BSP RH	12K06425	12K07425	12K07725	13	64	102	19	36	123	122	153	3/8"	1/8"	9.98 9.93	1.4 Kg
	1/2" BSP LH	12K06450	12K07450	12K07750	13	64	102	19	36	123	122	153	3/8"	1/8"	9.98 9.93	1.4 Kg
3/4"	3/4" NPT RH	12K11025	12K12125	12K12300	0.68"	2.90"	4.40"	0.56"	1.71"	5.25"	5.40"	6.82"	1/2"	1/4"	0.500" 0.498"	5 lb
	3/4" NPT LH	12K11050	12K12150	12K12325	0.68"	2.90"	4.40"	0.56"	1.71"	5.25"	5.40"	6.82"	1/2"	1/4"	0.500" 0.498"	5 lb
	1" - 14 UNS RH	12K11180	12K12190	12K12205	0.68"	2.90"	4.40"	0.75"	1.71"	5.25"	5.40"	6.82"	1/2"	1/4"	0.500" 0.498"	5 lb
	1" - 14 UNS LH	12K12000	12K12215	12K12230	0.68"	2.90"	4.40"	0.75"	1.71"	5.25"	5.40"	6.82"	1/2"	1/4"	0.500" 0.498"	5 lb
	3/4" BSP RH	12K12525	12K12240	12K12400	17	73	113	19	43	134	138	173	1/2"	1/4"	12.98 12.93	2.3 Kg
	3/4" BSP LH	12K12550	12K12250	12K12425	17	73	113	19	43	134	138	173	1/2"	1/4"	12.98 12.93	2.3 Kg
1"	1" NPT RH	12K16125	12K17275	12K17430	1.00"	3.58"	5.43"	0.66"	2.17"	6.47"	6.54"	8.40"	1/2"	3/8"	0.625" 0.623"	8 lb
	1" NPT LH	12K16150	12K17290	12K17432	1.00"	3.58"	5.43"	0.66"	2.17"	6.47"	6.54"	8.40"	1/2"	3/8"	0.625" 0.623"	8 lb
	1 1/2" - 12 UNF RH	12K16225	12K17175	12K17725	1.00"	3.58"	5.43"	1.12"	2.17"	6.47"	6.54"	8.40"	1/2"	3/8"	0.625" 0.623"	8 lb
	1 1/2" - 12 UNF LH	12K16250	12K17200	12K17750	1.00"	3.58"	5.43"	1.12"	2.17"	6.47"	6.54"	8.40"	1/2"	3/8"	0.625" 0.623"	8 lb
	1" BSP RH	12K16145	12K17250	12K17825	25	91	138	28	55	171	166	213	1/2"	3/8"	15.98 15.93	3.6 Kg
	1" BSP LH	12K16170	12K17260	12K17850	25	91	138	28	55	171	166	213	1/2"	3/8"	15.98 15.93	3.6 Kg
1 1/4"	1 1/4" NPT RH	12K26125	12K27100	12K27785	1.25"	3.78"	6.09"	0.68"	2.64"	7.86"	7.45"	9.71"	3/4"	1/2"	0.791" 0.789"	10 lb
	1 1/4" NPT LH	12K26150	12K27110	12K27790	1.25"	3.78"	6.09"	0.68"	2.64"	7.86"	7.45"	9.71"	3/4"	1/2"	0.791" 0.789"	10 lb
	1 3/4" - 12 UN RH	12K26325	12K27500	12K27775	1.25"	3.78"	6.09"	1.19"	2.64"	7.86"	7.45"	9.71"	3/4"	1/2"	0.791" 0.789"	10 lb
	1 3/4" - 12 UN LH	12K26350	12K27510	12K27780	1.25"	3.78"	6.09"	1.19"	2.64"	7.86"	7.45"	9.71"	3/4"	1/2"	0.791" 0.789"	10 lb
	1 1/4" BSP RH	12K26425	12K27625	12K27825	32	96	155	30	67	200	189	247	3/4"	1/2"	21.98 21.93	4.5 Kg
	1 1/4" BSP LH	12K26450	12K27650	12K27850	32	96	155	30	67	200	189	247	3/4"	1/2"	21.98 21.93	4.5 Kg
1 1/2"	1 1/2" NPT RH	12K21125	12K22225	12K22550	1.50"	4.57"	6.86"	0.68"	2.70"	8.11"	8.36"	10.54"	3/4"	3/4"	1.000" 0.998"	16 lb
	1 1/2" NPT LH	12K21150	12K22250	12K22450	1.50"	4.57"	6.86"	0.68"	2.70"	8.11"	8.36"	10.54"	3/4"	3/4"	1.000" 0.998"	16 lb
	2" - 12 UN RH	12K21625	12K22500	12K22555	1.50"	4.57"	7.16"	1.12"	2.70"	8.41"	8.66"	10.84"	3/4"	3/4"	1.000" 0.998"	16 lb
	2" - 12 UN LH	12K21650	12K22525	12K22575	1.50"	4.57"	7.16"	1.12"	2.70"	8.41"	8.66"	10.84"	3/4"	3/4"	1.000" 0.998"	16 lb
	1 1/2" BSP RH	12K21825	12K22600	12K22725	38	116	182	28	68	214	220	276	3/4"	3/4"	25.98 25.93	7.2 Kg
	1 1/2" BSP LH	12K21850	12K22625	12K22750	38	116	182	28	68	214	220	276	3/4"	3/4"	25.98 25.93	7.2 Kg

* Fixed tube O.D.

Dimensions are for reference only and subject to change.