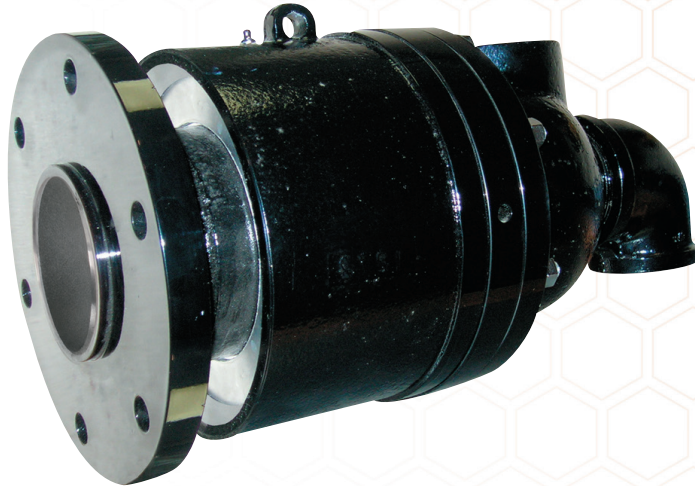


# RX-1, RX-2, RX-3 Rotary Union

## 4" to 6" Tapered Roller Bearing Support



The RX rotary union connects stationary piping to a rotating device. The fluid is sealed by precision, micro-lapped seals that provide a uniform, full-flow design. The union is supported by two widely-spaced anti-friction bearings and is available with a bearing isolation system for added bearing protection. The RX union is capable of intermittent dry running and features a 100% pure-molded carbon graphite or silicon carbide seal and tungsten carbide counterseat.

### Maximum RX Ratings

Pressure:	150 psig (10 bar)
Temperature:	500°F (260°C)
Speed:	750 RPM
Media:	Water, Thermal Oil

### Overview



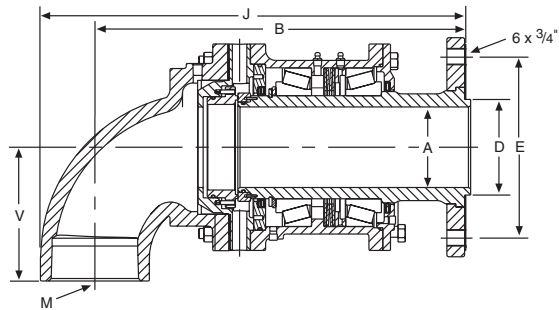
#### Features

- Springs located outside the flow area
- Stainless steel rotor
- Two-piece housing, on-machine seal replacement
- O-rings fully captured in glands
- Balanced seal assembly
- Full flow area
- Matched seal faces
- Bearing isolation system available
- Tungsten carbide counterseat

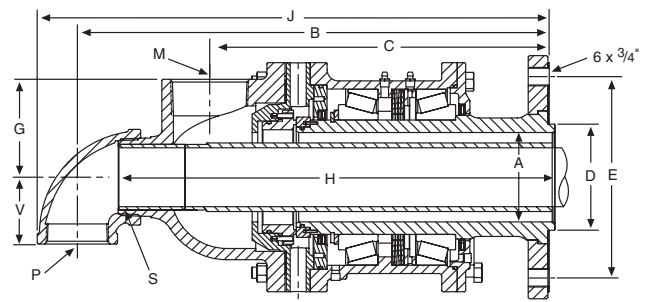


#### Benefits

- Improved reliability, increased flow area
- Corrosion resistant
- Reduced down-time and cost of maintenance
- Robust design, no risk of o-ring slipping
- Extended operating life
- Low pressure drop
- Materials selected for specific service
- Increased bearing protection
- Added toughness and shock resistance



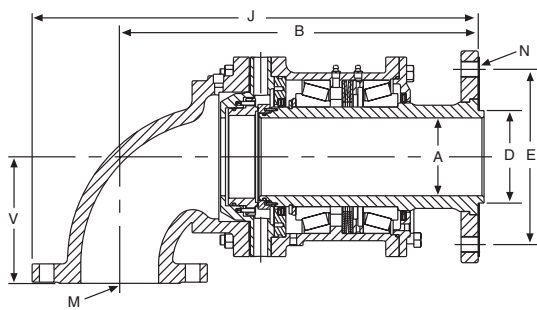
Single flow threaded connection



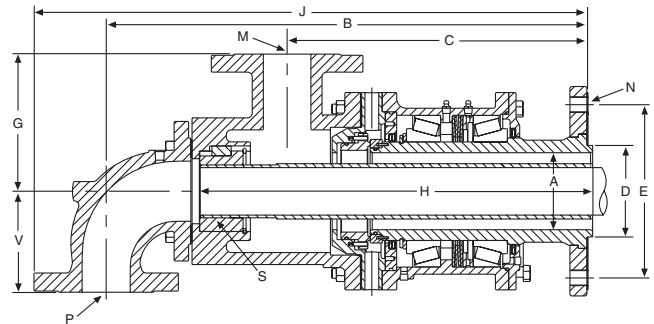
Dual flow threaded connection

Flow	M NPT	A	B	C	D*	E	G	H	J	P NPT	S	V	Approx. Weight
Single	4"	4.00"	18.50"	-	4.75"	9.00"	-	-	21.19"	-	-	6.62"	154 lb
		100 mm	469 mm	-	120 mm	229 mm	-	-	538 mm			168 mm	70 Kg
Dual	2 1/2"	4.00"	21.12"	15.25"	4.75"	9.00"	4.38"	17.13"	22.94"	2 1/2"	2.750" 2.748"	3.00"	145 lb
		100 mm	536 mm	386 mm	120 mm	229 mm	111 mm	436 mm	582 mm			76 mm	66 Kg

\*Pilot length 0.30" (7.6 mm).



Single flow flanged connection



Dual flow flanged connection

Flow	M (150 lb ASA)	A	B	C	D*	E	G	H	J	N	P (150 lb ASA)	S	V	Approx. Weight
Single	4"	4.00"	18.50"	-	4.75"	9.00"	-	-	23.00"	6 x 3/4"	-	-	6.50"	164 lb
		100 mm	469 mm	-	120 mm	229 mm	-	-	584 mm				165 mm	75 Kg
Dual	2 1/2"	4.00"	25.00"	15.62"	4.75"	9.00"	7.12"	17.00"	28.75"	6 x 3/4"	2 1/2"	2.750" 2.748"	5.25"	209 lb
		100 mm	636 mm	397 mm	120 mm	229 mm	181 mm	433 mm	730 mm				133 mm	95 Kg
Single	5"	5.00"	19.13"	-	6.29"	8.86"	-	-	24.31"	6 x 3/4"	-	-	7.63"	264 lb
		127 mm	486 mm	-	160 mm	225 mm	-	-	617 mm				194 mm	120 Kg
Dual	3"	5.00"	26.06"	16.88"	6.29"	8.86"	8.38"	19.94"	29.81"	6 x 3/4"	3"	3.324" 3.322"	5.50"	280 lb
		127 mm	662 mm	428 mm	160 mm	225 mm	212 mm	507 mm	757 mm				140 mm	127 Kg
Single	6"	6.00"	20.35"	-	6.94"	9.75"	-	-	25.85"	8 x 3/4"	-	-	9.00"	-
		152 mm	517 mm	-	176 mm	248 mm	-	-	657 mm				227 mm	-
Dual	4"	6.00"	30.43"	19.60"	6.94"	9.75"	9.00"	22.86"	34.92"	8 x 3/4"	4"	4.323" 4.319"	7.00"	-
		152 mm	773 mm	498 mm	176 mm	248 mm	229 mm	581 mm	887 mm				178 mm	-

\* For 4" and 5" sizes, pilot length is 0.30" (7.6 mm).  
Pilot length for 6" size is 0.56" (14.2 mm).

Dimensions are for reference only and subject to change.